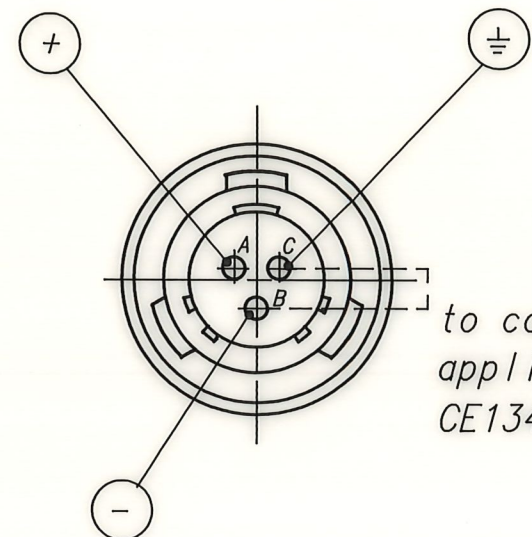
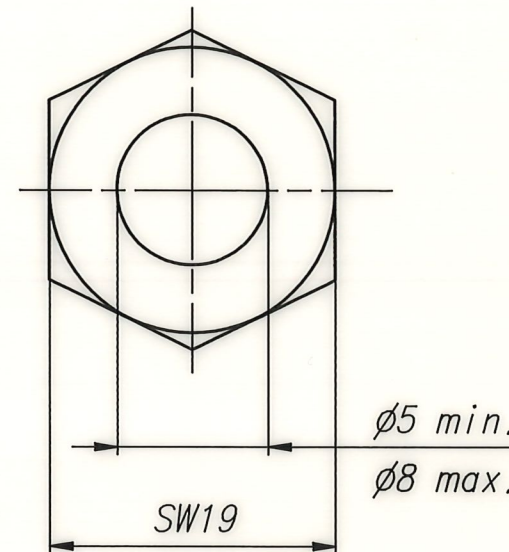
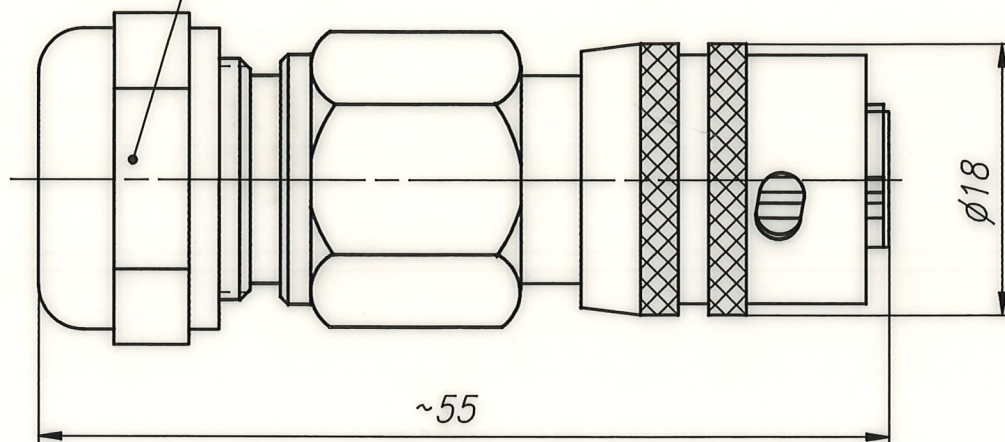


THE INFORMATION DISCLOSED HEREIN WAS ORIGINATED BY AND IS THE PROPERTY OF VIBRO-METER. VIBRO-METER RESERVES ALL PATENT, PROPRIETARY, DESIGN, USE, SALE, MANUFACTURING AND REPRODUCTION RIGHTS THERETO.



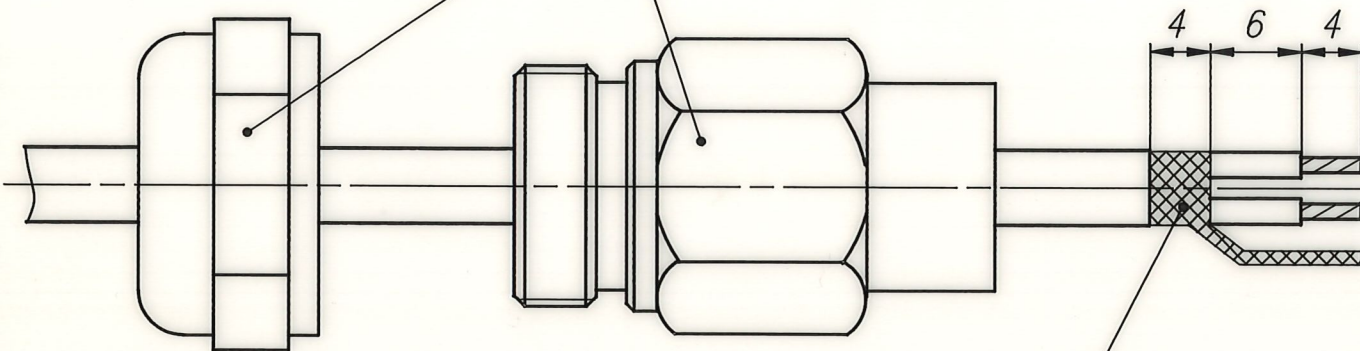
to connect in application with CE134 and CE136

Stuffing gland (PG9)



Stainless steel

Aluminium



Screen to be twisted and tinned

RoHS
DIRECTIVE 2011/65/UE

6							
5							
4							
3							
2							
1							
Rev.	Date	Drawn	Appr.	Repl. by:	Repl. for:	FSCM N°	vibro-meter SWITZERLAND
					812-134-000 D 101	S 3960	
Tolerances: ±						mm to 50 mm; ±	mm over 50 mm
Material:						Scale	Drawn
Finish:						2:1	12.11.91
							Checked
							14.11.91
							Appr.
							14.11.91
Connector						DWG. N°	
P/N: 812-134-000-051 Type: CG134						812-134-000D051	