

A

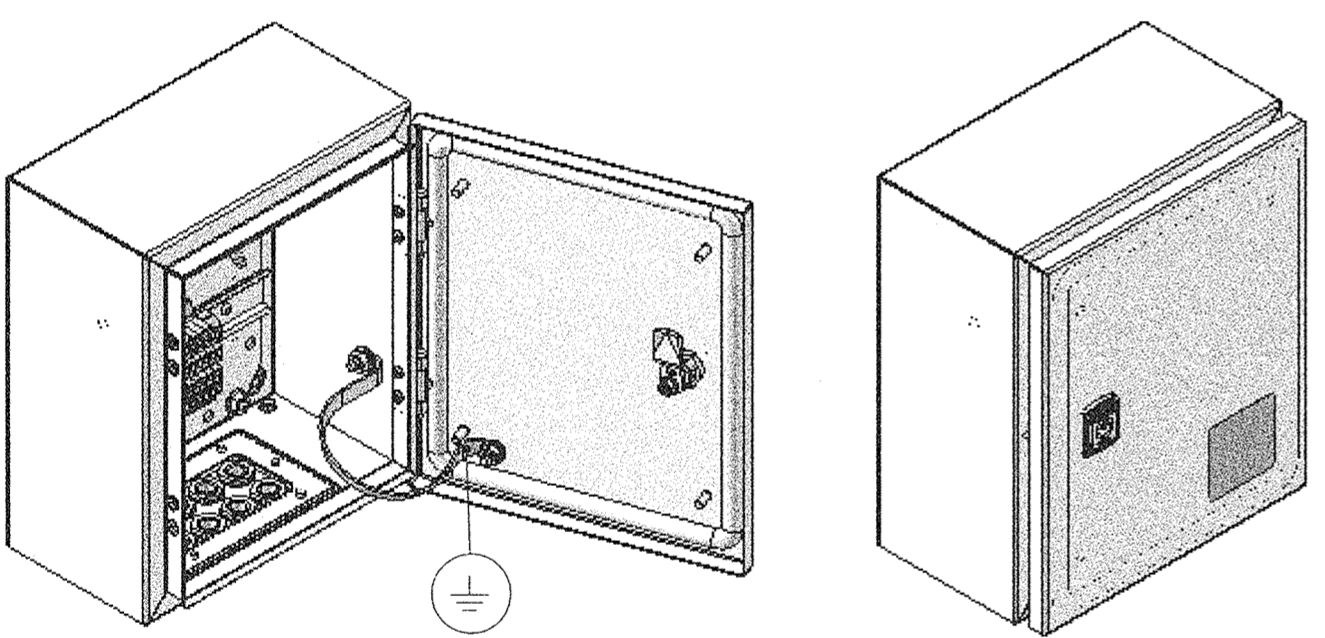
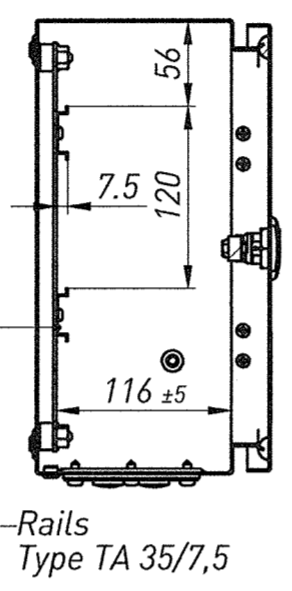
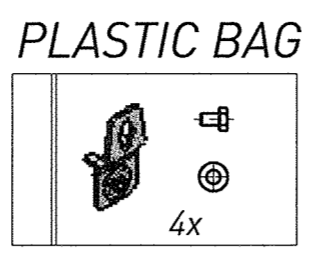
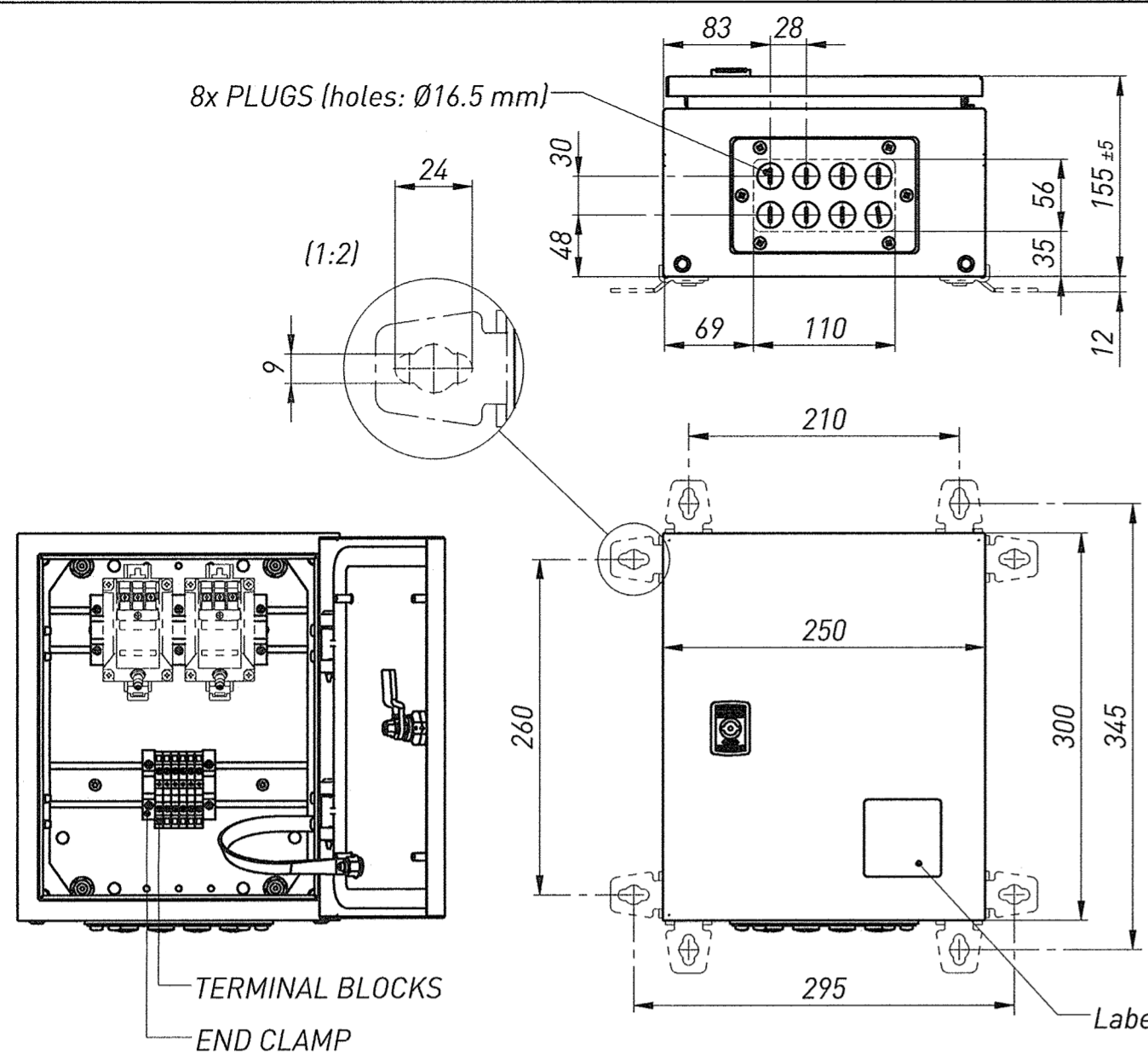
B

C

D

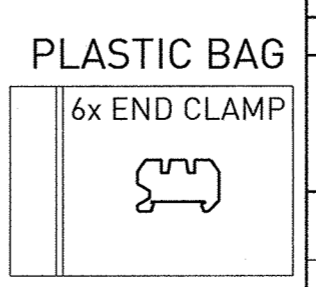
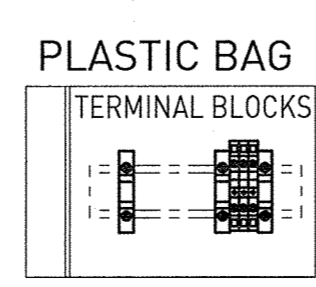
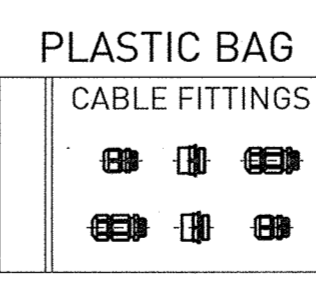
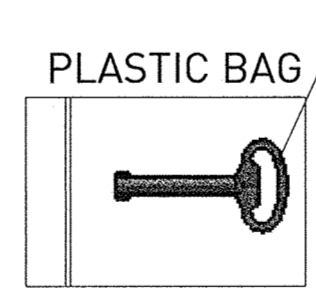
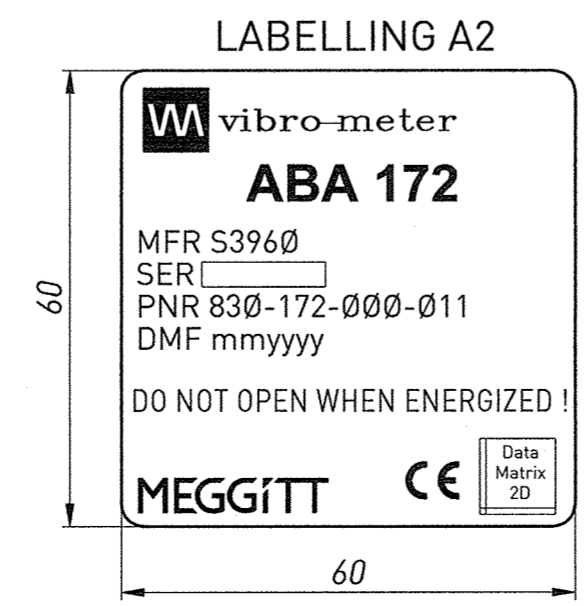
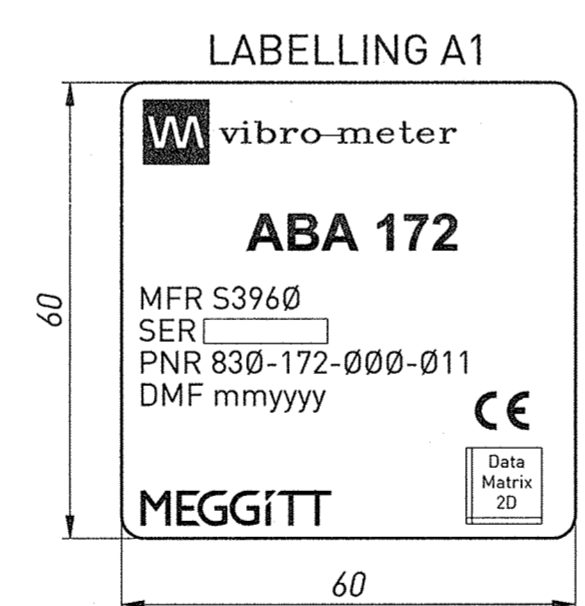
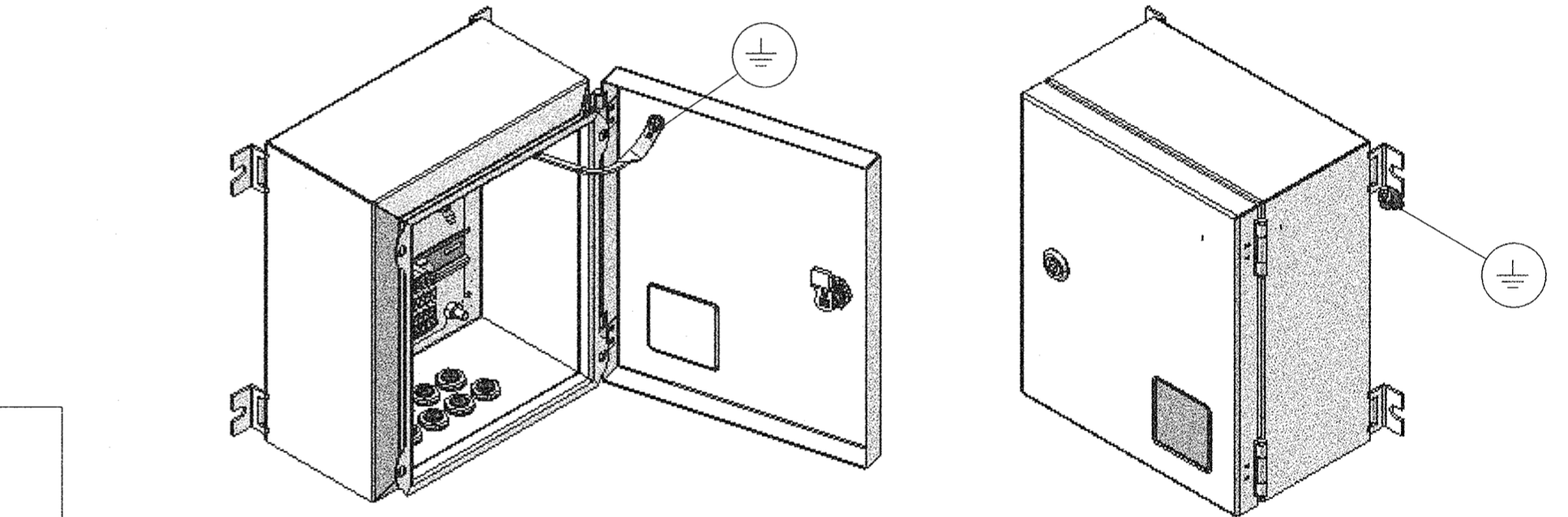
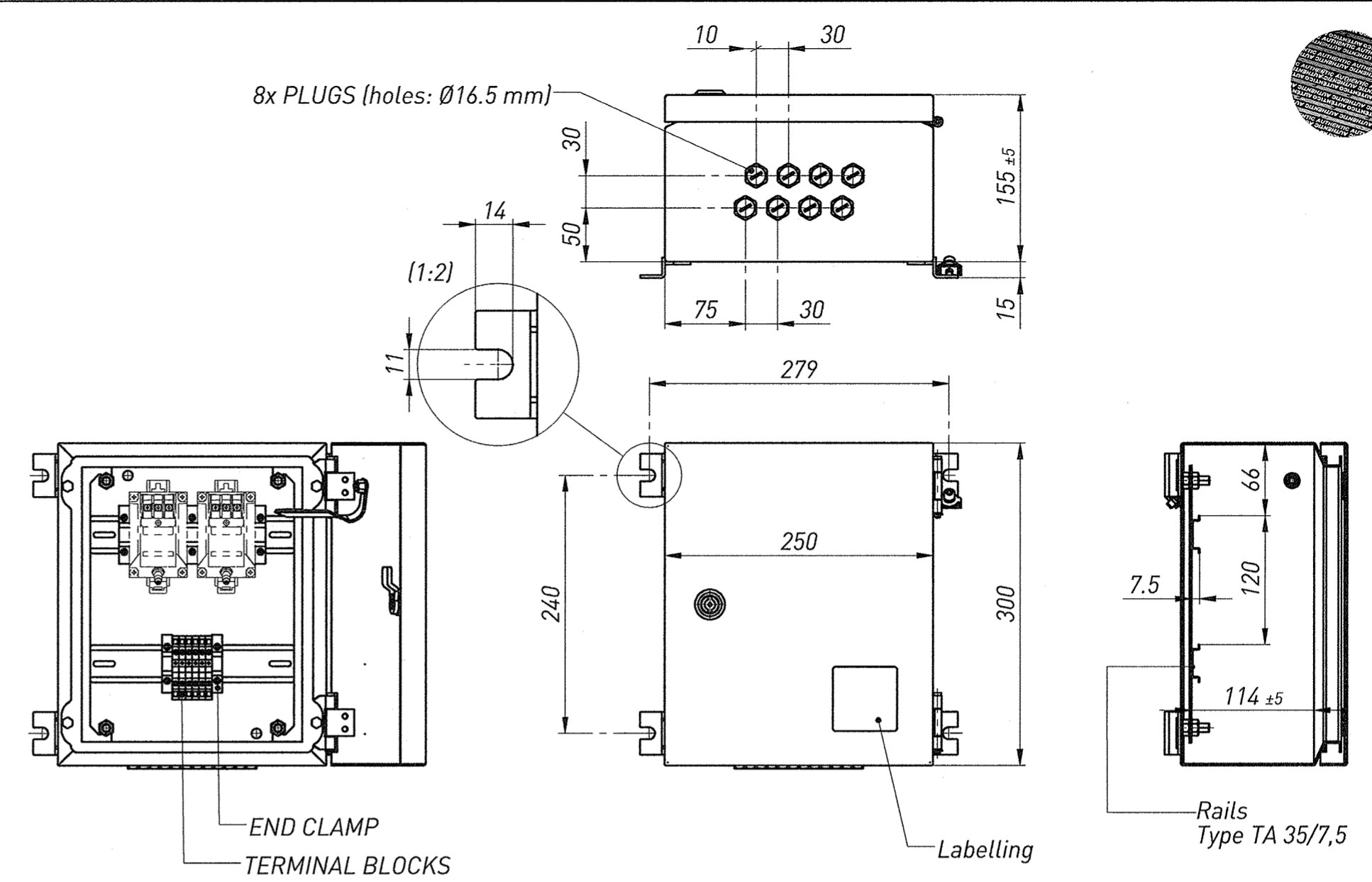
E

F



CODE A1

CODE A2



ORDERING NUMBER: 830-172-000-011-AX-BXX-...-JXX-TXX

ENVIRONMENT	A
Standard	1
Explosive	2

CABLE FITTINGS	CODE	QUANTITY
Cable gland for cable Ø2.5 + Ø3.6 mm	B	XX
Cable gland for cable Ø4 + Ø8 mm	C	XX
Cable gland for cable Ø6 + Ø11mm	D	XX
Cable gland combi for cable Ø2 + Ø4mm and flexible hose Ø5 + Ø7mm	E	XX
Cable gland combi for cable Ø0.7 + Ø2.7mm and flexible hose Ø5 + Ø7mm	F	XX
Cable gland combi for cable Ø2.5 + Ø3.5mm and flexible hose Ø5 + Ø6mm	G	XX
Adaptor PG9 with plug	H	XX
Cable gland for the LS oblong cable D 6,3x3,7 mm	I	XX
Adaptor M20x1.5 with plug (Cable Ø12mm max.)	J	XX

TERMINAL BLOCKS	CODE	QUANTITY
1 BLOCK 3 TERMINALS	T	XX

RoHS
DIRECTIVE 2011/65/UE

NO MODIFICATION ALLOWED
WITHOUT PRIOR AUTHORIZATION
OF MANAGER

NOTE: Conditioners are shown for illustration only and must be ordered separately.

Rev.	Date	Change N°	Drawn	Appr.	Description
2	04.10.17	17280	M.Waerber	F.Micco	Labelling A2 added.
1	09.09.15	15369	M.Waerber	F.Micco	PLASTIC BAG for END CLAMP added.

INFORMATION CONTAINED IN THIS DOCUMENT MAY BE SUBJECT TO EXPORT CONTROL REGULATIONS OF THE EUROPEAN UNION, USA OR OTHER COUNTRIES. EACH RECIPIENT OF THIS DOCUMENT IS RESPONSIBLE FOR ENSURING THAT TRANSFER OR USE OF ANY INFORMATION CONTAINED IN THIS DOCUMENT COMPLIES WITH ALL RELEVANT EXPORT CONTROL REGULATIONS. ECN NO. N/A
THIS DRAWING AND/OR ITS DESIGN IS PROPRIETARY AND THE PROPERTY OF MEGGITT SA. THIS DRAWING AND/OR ITS DESIGN IS PROVIDED TO YOU SUBJECT TO THE CONDITION THAT IT SHALL NOT BE REPRODUCED, COPIED, LENT OR OTHERWISE DISPOSED OF, DIRECTLY OR INDIRECTLY, IT SHALL NOT BE USED TO FURNISH ANY INFORMATION FOR THE MAKING OF DRAWINGS, PRINTS OR APPARATUS, OR PARTS THEREOF, EXCEPT WHERE OTHERWISE EXPRESSLY PROVIDED FOR BY CONTRACT WITH MEGGITT SA.
© MEGGITT SA 2015. ALL RIGHTS RESERVED. NO PART OF THIS PUBLICATION MAY BE REPRODUCED, STORED IN A RETRIEVAL SYSTEM, OR TRANSMITTED IN ANY FORM OR BY ANY MEANS, ELECTRONIC, MECHANICAL, PHOTOCOPIED OR IN ANY OTHER MANNER WITHOUT THE PRIOR WRITTEN PERMISSION OF MEGGITT SA.

MFR	MSS-CAD
S3960	
Scale	Format
1:5	A2

Material: Messing vernickelt

Linear Tolerances [mm]	Radius / Chamfers [mm]	ToL. on angle [°]
>0.5 ... 3	>0.5 ... 3	>10 ... 120
±0.5	±1	±2°

Repl.by: Repl.for:

Drawn	04.03.15	M.Waerber
Check	04.03.15	N.Mancini
Appr.	06.03.15	F.Micco

HOUSING TYPE ABA 172
PNR 830-172-000-011

DWG.N°
830-172-000 V 011

MFR S3960
Scale 1:5
Format A2

MEGGITT
Rte de Moncor 4, CH-1752 Villars-sur-Glâne, Switzerland

A

B

C

D

E

F