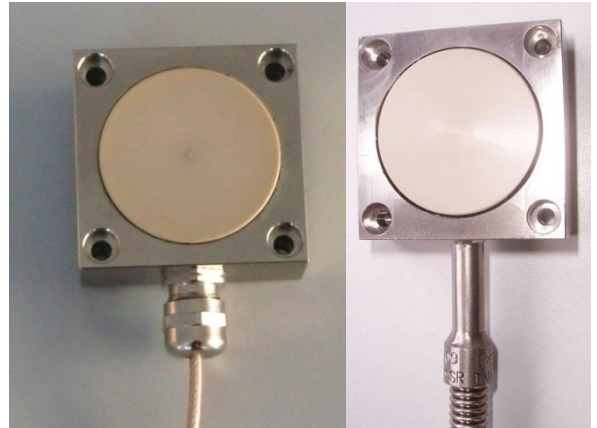


Vibro-Meter Proximity Transducer

WW 030

Applications

- Non-contact displacements measurement
- Stainless steel casing
- IP 67
- Max. measuring range
12 mm (from 2 to 14 mm)



Description

The Proximity Transducer WW 030 is used in combination with Transmitter TWW 101 M1 for non-contact measurements of displacements. The proximity Transducers with same cable length are interchangeable.

Mounting conditions

A special feature of this transducer is that the area of the measuring object must not be greater than the dimensions of the transducer case (50x50mm).

The casing of WW030 is connected to the shield of the Triaxcable.

There is no connection between the matching Transmitter TWW 101 M1 and the shield and mounting area of the Transmitter.

Technical Specifications

Transducer

Ambient temperature range	- 20 bis 145° C
Deviation of linearity	$\leq \pm 2 \%$
Max. measuring range	12 mm (von 2 bis 14 mm)
Protection class	IP 67
Casing material	Stainless steel (1.4305)
Resistance	Against a multitude of oils, chemicals and solvents

Connection cable

Type	Triax-Tefloncable (double shielding)
Ambient temperature range	- 20 to +220° C
Length	Standard: 5 m Optional: 3 or 10 m
Diameter	3 mm
Min. bending radius	20 mm
Resistance	Against a multitude of oils, chemicals and solvents
Connection	Triax-Plugconnector

Triax-Plugconnector

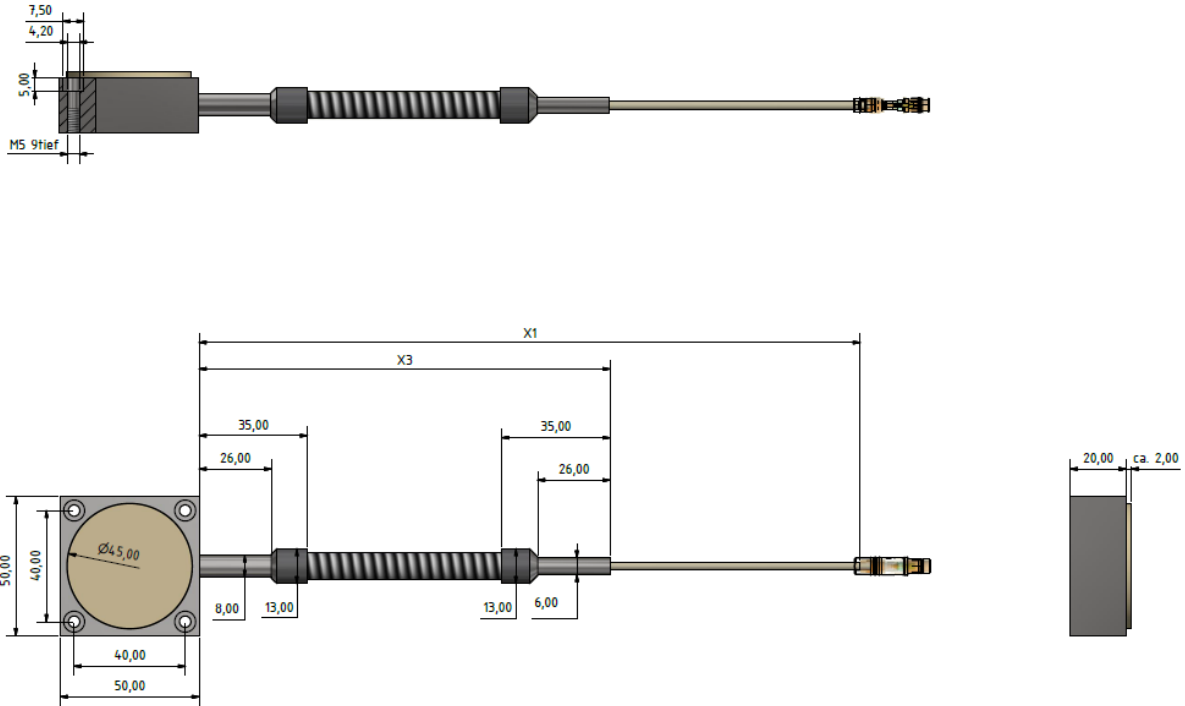
Typ	Triax
Ambient temperature range	- 20 to +125° C
Length	28 mm
Diameter	6,8 mm

Cable protection

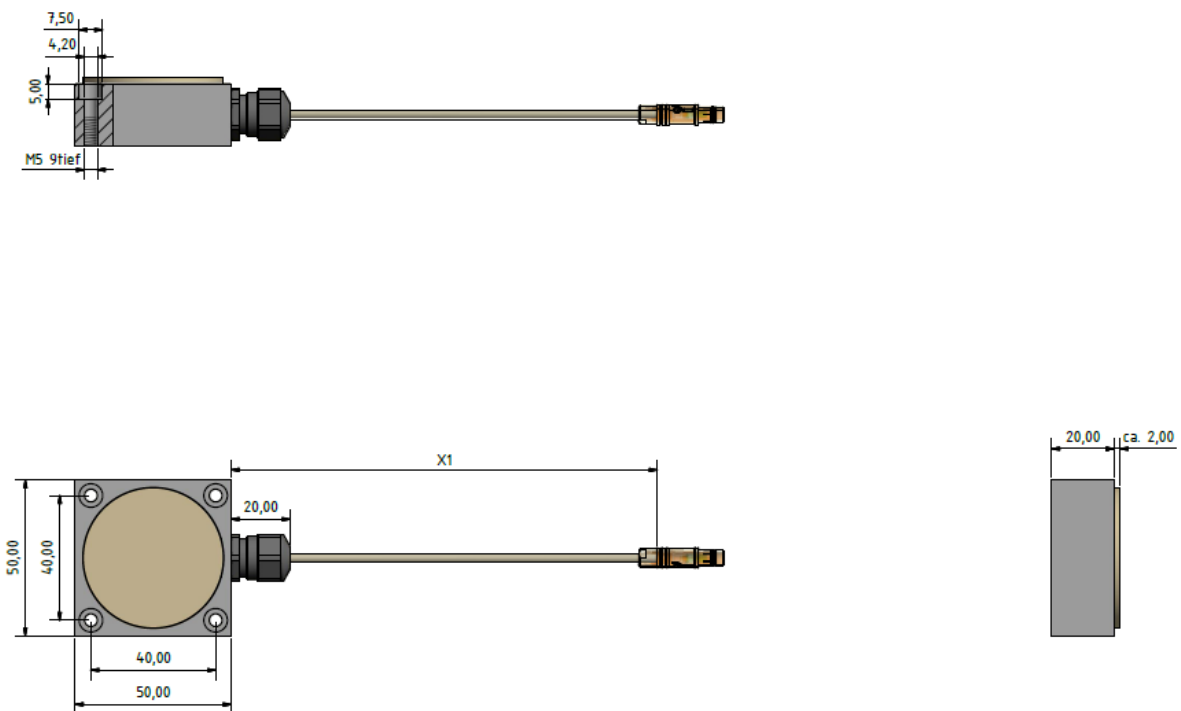
Ambient temperature range	- 20 to +250° C
Material	Stainless steel tube
Protection class	IP 67 , leakproof welded
length	Standard: 5 m Optional: 3 or 10 m
Outer diameter	10 mm
Inner diameter	8 mm
Min. bending radius	50 mm
Resistance	Against a multitude of oils, chemicals and solvents

Drawing

With cable protection:



Without cable protection:



Order information

VMD – WW030 – X1 – X2 – X3 – X4

Cable length (X1)	
3 m	030
5 m	050
10 m	100
X m particular wishes	999

Design (X2)	
MS	with cable protection
OS	without cable protection

System length (X4)	
03	3 m
05	5 m
10	10 m

Cable protection length (X3)	
000	0 m
030	3 m
050	5 m
100	10 m
999	X m p particular wishes

Sales Offices

The complete list can be found on our webpage
www.meggitt.com



Your local representative

Meggitt GmbH

Kaiserleistraße 51
63067 Offenbach am Main
Deutschland / Germany

Tel. +49 (0) 69 9799050
Fax +49 (0) 69 97990526
E-Mail: info@meggitt.de
www.meggitt.de

MEGGITT
smart engineering for
extreme environments